

# Service Service Service



# Service Manual

<b><u>TABLE OF CONTENTS</u></b>	
	Chapter
<b>Technical Specification &amp; Service Tips.....</b>	<b>1</b>
<b>Safety Instructions.....</b>	<b>2</b>
<b>Instruction for Use.....</b>	<b>3</b>
<b>Mechanical Instructions.....</b>	<b>4</b>
<b>Troubleshooting .....</b>	<b>5</b>
<b>Overall Block Diagram.....</b>	<b>6</b>
<b>Electrical Diagram.....</b>	<b>7</b>
<b>Service Part List.....</b>	<b>8</b>
<b>Revision List.....</b>	<b>9</b>

©Copyright 2005 Philips Consumer Electronics B.V. Eindhoven, The Netherlands  
 All rights reserved. No part of this publication may be reproduced, stored in a  
 retrieval system or transmitted, in any form or by any means, electronics,  
 mechanical, photocopying, or otherwise without the prior permission of Philips

3141 785 31674

# 1.0 TECHNICAL SPECIFICATION

## General

Dimensions (W x H x D): 210 x 178 x 39mm  
 Weight: 1.9kg  
 Power supply: Input: 100-240V AC, 50/60Hz  
 0.3A  
 Output: DC 9V 1.0A  
 9W  
 Power consumption: 9W  
 Operating temp. & RH: 0-45degC / 40-90%  
 Video System: NTSC / PAL / AUTO  
 Audio System  
 Output voltage 1kHz: 2+/-0.2V  
 THD 20-20kHz (%): < /=3%  
 Dynamic range: > /=80dB  
 Signal/Noise ratio: > /=85dB  
 Frequency response (20-20kHz): +/-1dB  
 Channel Separation 1kHz: > =85dB  
 Channel Balance 1kHz: < 2dB ?

Playback disc type: DVD, Picture-CD, SVCD, Video CD, MP3-CD, CD-R/CD-RW, WMA-CD, DVD-R, DVD-RW, DVD+R, DVD+RW  
 Video Playback Format: DVD / VCD / JPEG  
 Audio Playback Format: CD/MP3, MP3-DVD, WMA  
 Disc Diameter: 12cm

## Pixel specification

Max. 1 bright-dot & max. 3 dark-dots

## Factory Service Mode (FSM)

## Current consumption

DC-IN SUPPLY (9V)	
Battery Charging Current	450 +/- 50mA
BATT. SUPPLY	
Power Off	
Playback with TFT on	
Playback without TFT on	
Playback time	

## Headphone out (headphone output load 2x16 ohm)

Maximum output power: 1.5mW  
 Frequency response: +/-1dB  
 SNR (A-wght): >70dB  
 THD (0.2-20kHz): 1%  
 Left-Right Channel Separation: > /=50dB  
 Left-Right Channel Balance: < /=1dB

## Supported disc type

Video Playback Formats:



Audio Playback Formats:



## To check the software version and change region code of your DVD Portable

1. Power ON the DVD player and open the DVD door
2. Press the "SETUP" button on remote control, then select the "Preference MENU"
3. Press the remote button in the sequence as 9 -> 6 -> 5 -> 3
4. The LCD display showed the existing region code. Press ▲ (navigation up) or ▼ (navigation down) repeatedly to select the number from 0 to 6.
5. Refer below table for your region code setting

Region Code	Region
1	USA
2	EUROPE
3	ASIA PACIFIC
4	AUSTRALIA, NEW ZEALAND, LATAM
5	RUSSIA, INDIA
6	CHINA

**Select "0" setting = Region Free (confidential)**

## 1.0 TECHNICAL SPECIFICATION

---

### Procedure on how to upgrade the software of the DVD Portable

*For the best performance of your DVD Portable. Check [www.philips.com/support](http://www.philips.com/support) for latest software upgrades available.*

#### *A) By CD-ROM*

1. Download the "PHILIPS.BIN" file from the Philips support site
2. Unzip the file and then burn it into a CD-ROM to make a disc for upgrade
3. CD-ROM disc name must be "PHILIPS" (otherwise it will not be recognized as a disc for upgrade)
4. Power on the Portable DVD Player with AC/DC adaptor
5. Play CD-ROM for firmware upgrade

***Warning: Do not unplug the AC adaptor during firmware upgrade to prevent flash corrupt of the set!!***

6. Once upgrade is completed, the player will restart automatically and observed PHILIPS LOGO on the screen.
7. Open the DVD door to remove the disc

## 2.0 SAFETY INSTRUCTIONS

### **GB** WARNING

All ICs and many other semi-conductors are susceptible to electrostatic discharges (ESD). Careless handling during repair can reduce life drastically. When repairing, make sure that you are connected with the same potential as the mass of the set via a wrist wrap with resistance. Keep components and tools also at this potential.

### **F** ATTENTION

Tous les IC et beaucoup d'autres semi-conducteurs sont sensibles aux décharges statiques (ESD). Leur longévité pourrait être considérablement écourtée par le fait qu'aucune précaution n'est prise à leur manipulation. Lors de réparations, s'assurer de bien être relié au même potentiel que la masse de l'appareil et enfilez le bracelet serti d'une résistance de sécurité. Veiller à ce que les composants ainsi que les outils que l'on utilise soient également à ce potentiel.

### **D** WARNUNG

Alle ICs und viele andere Halbleiter sind empfindlich gegenüber elektrostatischen Entladungen (ESD). Unsorgfältige Behandlung im Reparaturfall kann die Lebensdauer drastisch reduzieren. Veranlassen Sie, dass Sie im Reparaturfall über ein Pulsarmband mit Widerstand verbunden sind mit dem gleichen Potential wie die Masse des Gerätes. Bauteile und Hilfsmittel auch auf dieses gleiche Potential halten.

### **ESD**



### **NL** WAARSCHUWING

Alle IC's en vele andere halfgeleiders zijn gevoelig voor electrostatische ontladingen (ESD). Onzorgvuldig behandelen tijdens reparatie kan de levensduur drastisch doen verminderen. Zorg ervoor dat u tijdens reparatie via een polsband met weerstand verbonden bent met hetzelfde potentiaal als de massa van het apparaat. Houd componenten en hulpmiddelen ook op ditzelfde potentiaal.

### **I** AVVERTIMENTO

Tutti IC e parecchi semi-conduttori sono sensibili alle scariche statiche (ESD). La loro longevità potrebbe essere fortemente ridotta in caso di non osservazione della più grande cauzione alla loro manipolazione. Durante le riparazioni occorre quindi essere collegato allo stesso potenziale che quello della massa dell'apparecchio tramite un braccialetto a resistenza. Assicurarsi che i componenti e anche gli utensili con quali si lavora siano anche a questo potenziale.

### **GB**

Safety regulations require that the set be restored to its original condition and that parts which are identical with those specified, be used.

"Pour votre sécurité, ces documents doivent être utilisés par des spécialistes agréés, seuls habilités à réparer votre appareil en panne".

### **NL**

Veiligheidsbepalingen vereisen, dat het apparaat bij reparatie in zijn oorspronkelijke toestand wordt teruggebracht en dat onderdelen, identiek aan de gespecificeerde, worden toegepast.

### **F**

Les normes de sécurité exigent que l'appareil soit remis à l'état d'origine et que soient utilisés les pièces de rechange identiques à celles spécifiées.

### **D**

Bei jeder Reparatur sind die geltenden Sicherheitsvorschriften zu beachten. Der Originalzustand des Geräts darf nicht verändert werden; für Reparaturen sind Original-Ersatzteile zu verwenden.

### **I**

Le norme di sicurezza esigono che l'apparecchio venga rimesso nelle condizioni originali e che siano utilizzati i pezzi di ricambio identici a quelli specificati.

"After servicing and before returning set to customer perform a leakage current measurement test from all exposed metal parts to earth ground to assure no shock hazard exist. The leakage current must not exceed 0.5mA."



### **GB** Warning !

Invisible laser radiation when open.  
Avoid direct exposure to beam.

### **S** Varning !

Osynlig laserstrålning när apparaten är öppnad och spärrar är urkopplad. Beträkta ej strålen.

### **SF** Varoitus !

Avatussa laitteessa ja suojalukituksen ohitettaessa olet alltiina näkymättömälle laserisäteilylle. Älä katso säteeseen!

### **DK** Advarse !

Usynlig laserstråling ved åbning når sikkerhedsafbrydere er ude af funktion. Undgå udsættelse for stråling.

## 2.1 ESD PROTECTION

- レンズには絶対に触れないでください。
- DO NOT TOUCH THE LENS.
- LINSE NICHT BRÜHREN.
- NE PAS TOUCHER LA LENTILLE.

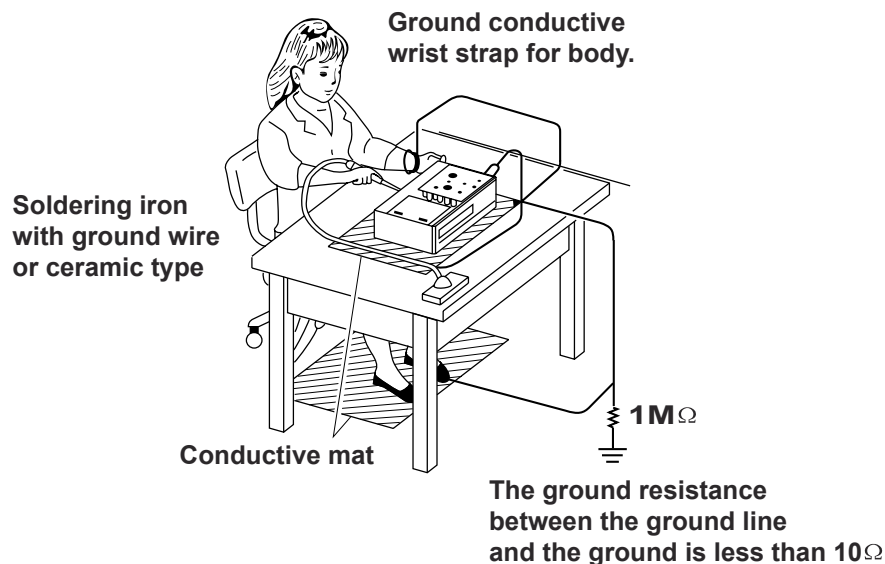
When the power supply is being turned on, you may not remove this laser cautions label. If it removes, radiation of laser may be received.

### PREPARATION OF SERVICING

Pickup Head consists of a laser diode that is very susceptible to external static electricity.

Although it operates properly after replacement, if it was subject to electrostatic discharge during replacement, its life might be shortened. When replacing, use a conductive mat, soldering iron with ground wire, etc. to protect the laser diode from damage by static electricity.

And also, the LSI and IC are same as above.



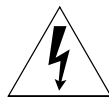
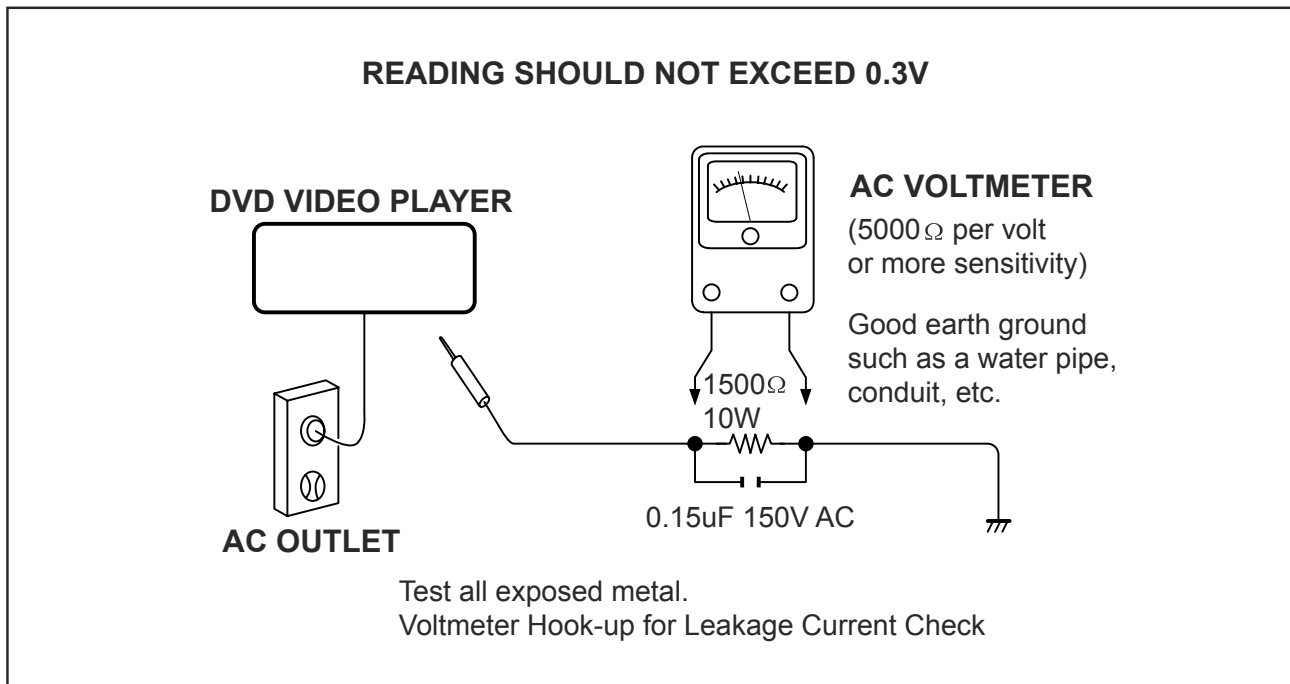
## SAFTY NOTICE

### SAFTY PRECAUTIONS

#### LEAKAGE CURRENT CHECK

Plug the AC line cord directly into a 120V AC outlet (do not use an isolation transformer for this check). Use an AC voltmeter, having  $5000\Omega$  per volt or more sensitivity. Connect a  $1500\Omega$  10W resistor, paralleled by a  $0.15\mu\text{F}$  150V AC capacitor between a known good earth ground (water pipe, conduit, etc.) and all exposed metal parts of cabinet (antennas, handle bracket, metal cabinet screwheads, metal overlays, control shafts, etc.).

Measure the AC voltage across the  $1500\Omega$  resistor. The test must be conducted with the AC switch on and then repeated with the AC switch off. The AC voltage indicated by the meter may not exceed 0.3V. A reading exceeding 0.3V indicates that a dangerous potential exists, the fault must be located and corrected. Repeat the above test with the DVD VIDEO PLAYER power plug reversed. NEVER RETURN A DVD VIDEO PLAYER TO THE CUSTOMER WITHOUT TAKING NECESSARY CORRECTIVE ACTION.



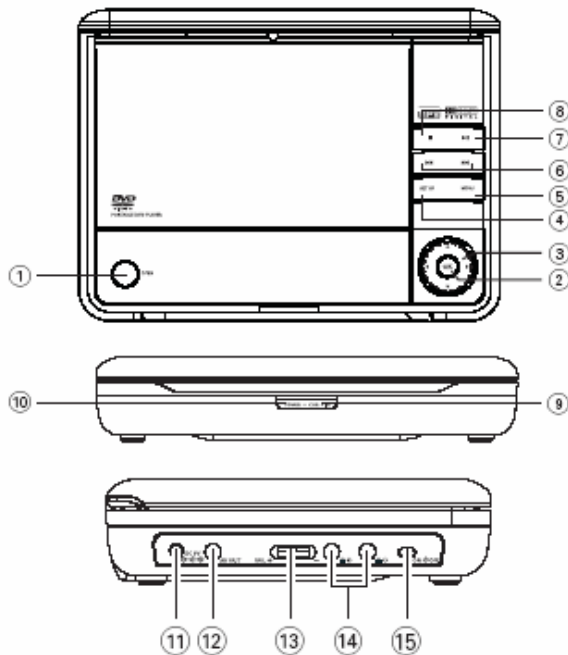
The lightning flash with arrowhead symbol, within an equilateral triangle, is intended to alert the user to the presence of uninsulated "dangerous voltage" within the product's enclosure that may be of sufficient magnitude to constitute a risk of electric shock to persons.



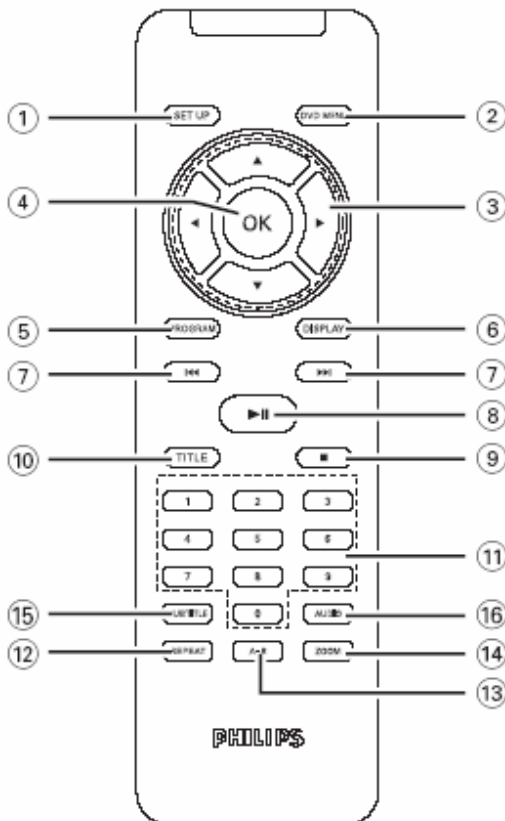
The exclamation point within an equilateral triangle is intended to alert the user to the presence of important operating and maintenance (servicing) instructions in the literature accompanying the appliance.

### 3.0 INSTRUCTION FOR USE

1



2



#### Main unit controls ( see figure 1)

- ① **OPEN** .....Open the disc door to insert or remove disc.
- ② **OK** .....Confirm a selection.
- ③ **▲, ▼, ◀, ▶** .....Navigate in a menu.  
.....(◀ / ▶) search backward/forward in a disc at different speeds.
- ④ **SETUP** .....Enter or exit the system menu.
- ⑤ **MENU** .....Enter or exit the disc contents menu.
- ⑥ **◀◀ / ▶▶** .....Skip to the previous/next chapter, track or title.
- ⑦ **▶||** .....Start or interrupt playback.
- ⑧ **■** .....Stop playback or erase a program.
- ⑨ **IR**.....Remote sensor.
- ⑩ **POWER and CHG**..Power and charge indicator.





#### Left of player ( see figure 1)

- ⑪ **DC IN SW** .....Power supply socket.
- ⑫ **AV OUT**.....Audio/Video output jack.
- ⑬ **VOLUME** .....Volume control.
- ⑭ **1 2** .....Headphone jacks.
- ⑮ **ON/OFF**.....Switch the power on/off.

#### Remote controls ( see figure 2)



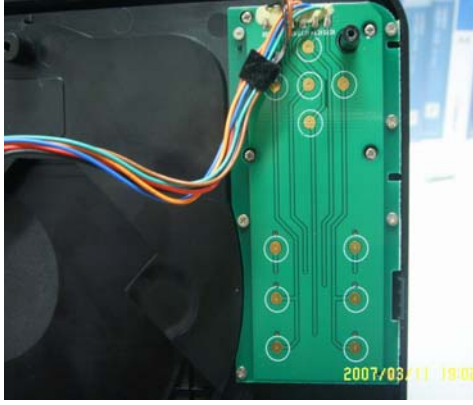



- ① **SETUP** .....Enter or exit the system menu.
- ② **DVD MENU** .....Enter or exit the disc contents menu.
- ③ **▲, ▼, ◀, ▶** .....Navigate in a menu.  
.....(◀ / ▶) search backward/forward in a disc at different speeds.
- ④ **OK**.....Confirm a selection.
- ⑤ **PROGRAM** .....Enter the program menu.
- ⑥ **DISPLAY** .....Display information on TFT during playback.
- ⑦ **PREV/NEXT ◀◀ / ▶▶** Skip to the previous/next chapter, track or title.
- ⑧ **PLAY/PAUSE ▶||**..Start or interrupt playback.
- ⑨ **STOP ■** .....Stop playback or erase a program.
- ⑩ **TITLE** .....Display the disc title
- ⑪ **Numeric Keypad (0-9)**..Input numbers.
- ⑫ **REPEAT** .....Repeat a chapter/track/title.
- ⑬ **A-B**.....Repeat playback of a specific section on a disc.
- ⑭ **ZOOM**.....Enlarge or reduce a picture or active image on the TFT.
- ⑮ **SUBTITLE** .....Select a subtitle language.
- ⑯ **AUDIO** .....Select an audio language when playing a DVD disc or select an audio mode (Stereo, Mono-Left or Mono-Right) when playing a VCD/CD disc.

## 4.0 MECHANICAL INSTRUCTION

Disassembly Procedure	
	<p>1 Remove 7pcs of screws on the bottom cabinet and remove 1pc of screw in middle cabinet (we can find it after open CD door)</p>
	<p>2 Open the bottom cabinet carefully and unplug the wire connector of key board from the main board. (left bottom side)</p>
	<p>3 Unplug all the wire connector from main board. (The wire connectors are for: DVD loader, battery board and TFT driver board, and speaker.)</p> <p>Remove all the screws on the main board and then take the main board from bottom cabinet.</p>
	<p>4 Remove the flex cable on the bottom side.</p>



## 4.0 MECHANICAL INSTRUCTION

	<p>5 Remove all the screws on the battery board and then take out the battery with battery board.</p> 
	<p>6 Remove 11pcs screws from key board.</p>
	<p>7 Remove 6pcs of screws on the display frame. Carefully open the display frame with the catches by screwdriver. (There are six catches as shown in the picture)</p>
	<p>8 To remove the TFT, de-soldering the wire connected between TFT and TFT board first. (Please note the wire location as shown in picture during re-assembly) And unplug wire connector from TFT board and TFT driver. Take out the TFT board from cabinet using eradicator.</p> 

## 4.0 MECHANICAL INSTRUCTION



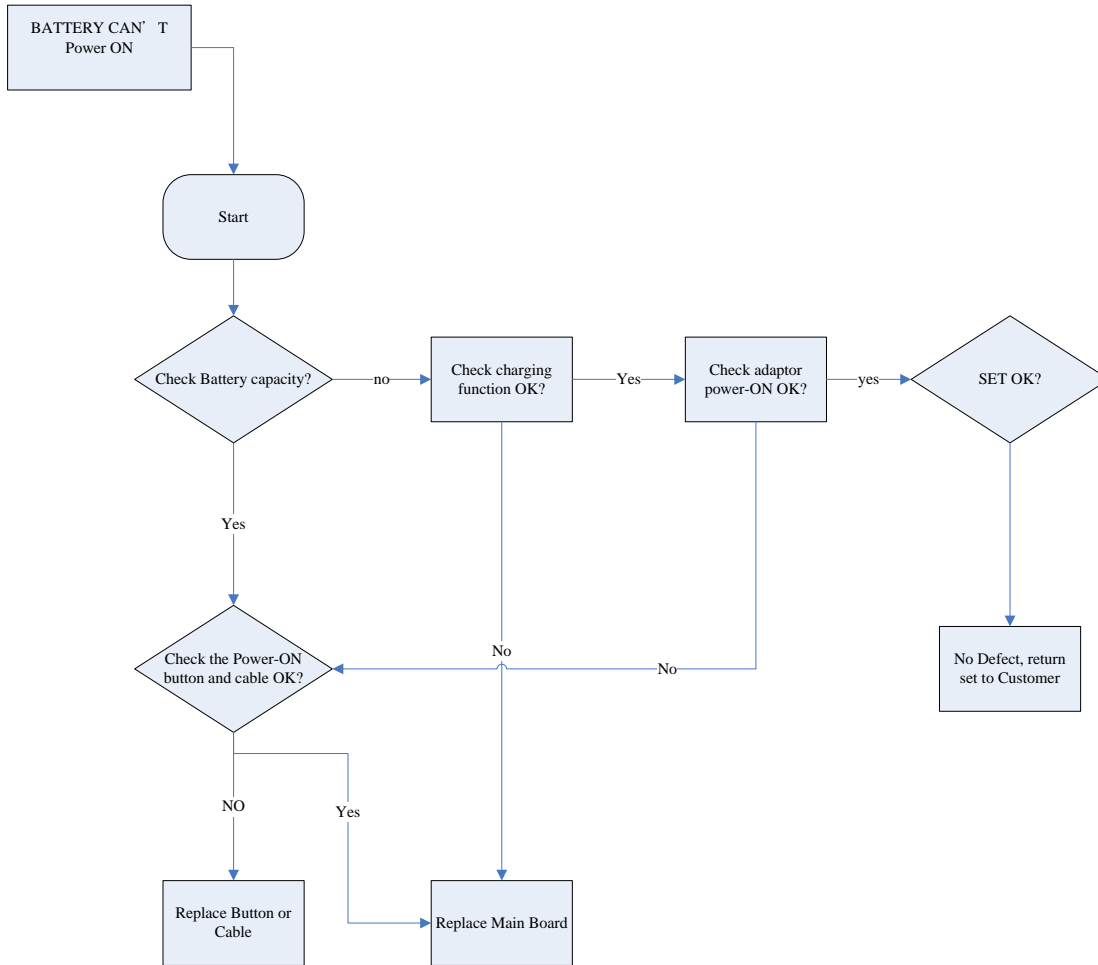
9

To remove the hinge, remove the screws on the hinge.

## 5.0 TROUBLESHOOTING

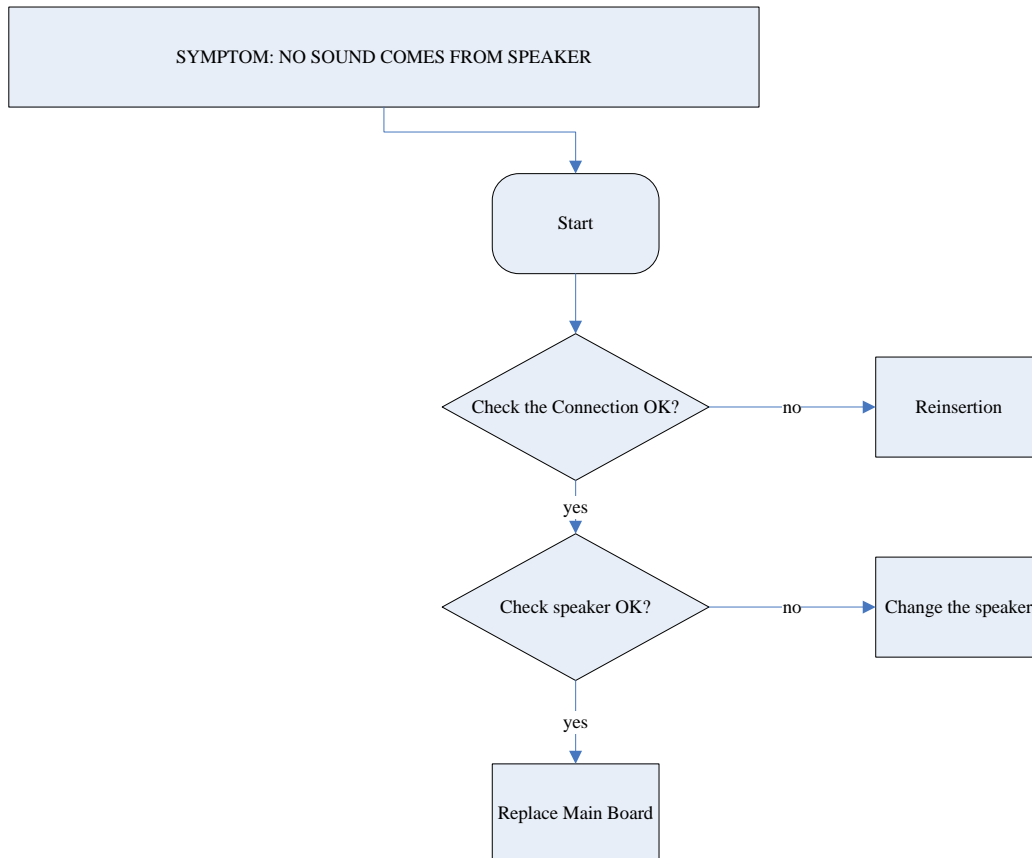
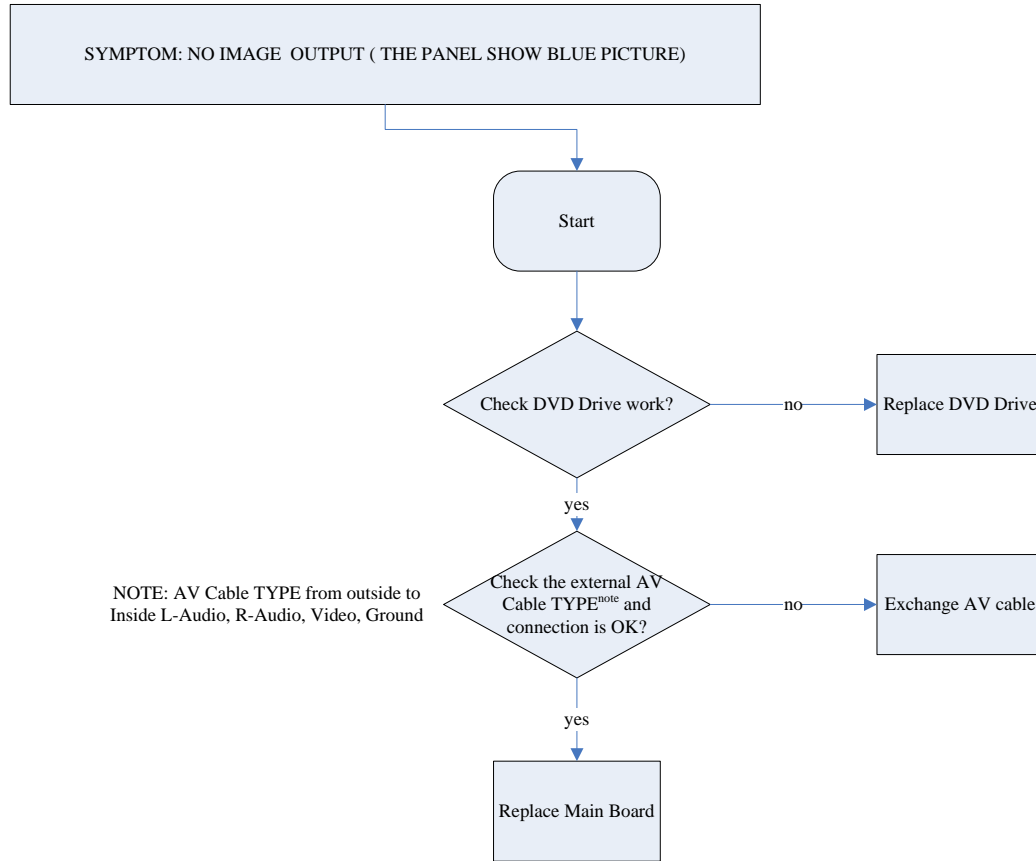
---

### SYMPTOM: BATTERY NO POWER



## 5.0 TROUBLESHOOTING

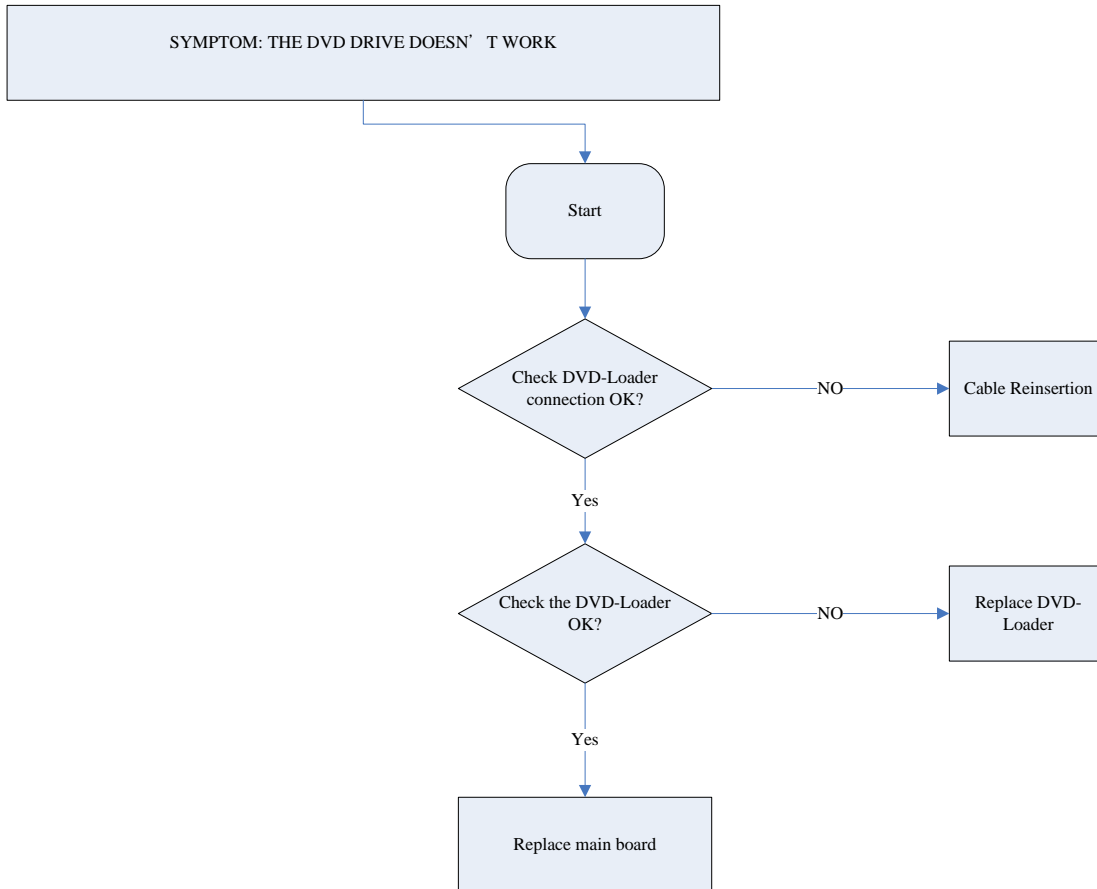
### SYMPTOM: NO IMAGE / NO SOUND



## 5.0 TROUBLESHOOTING

---

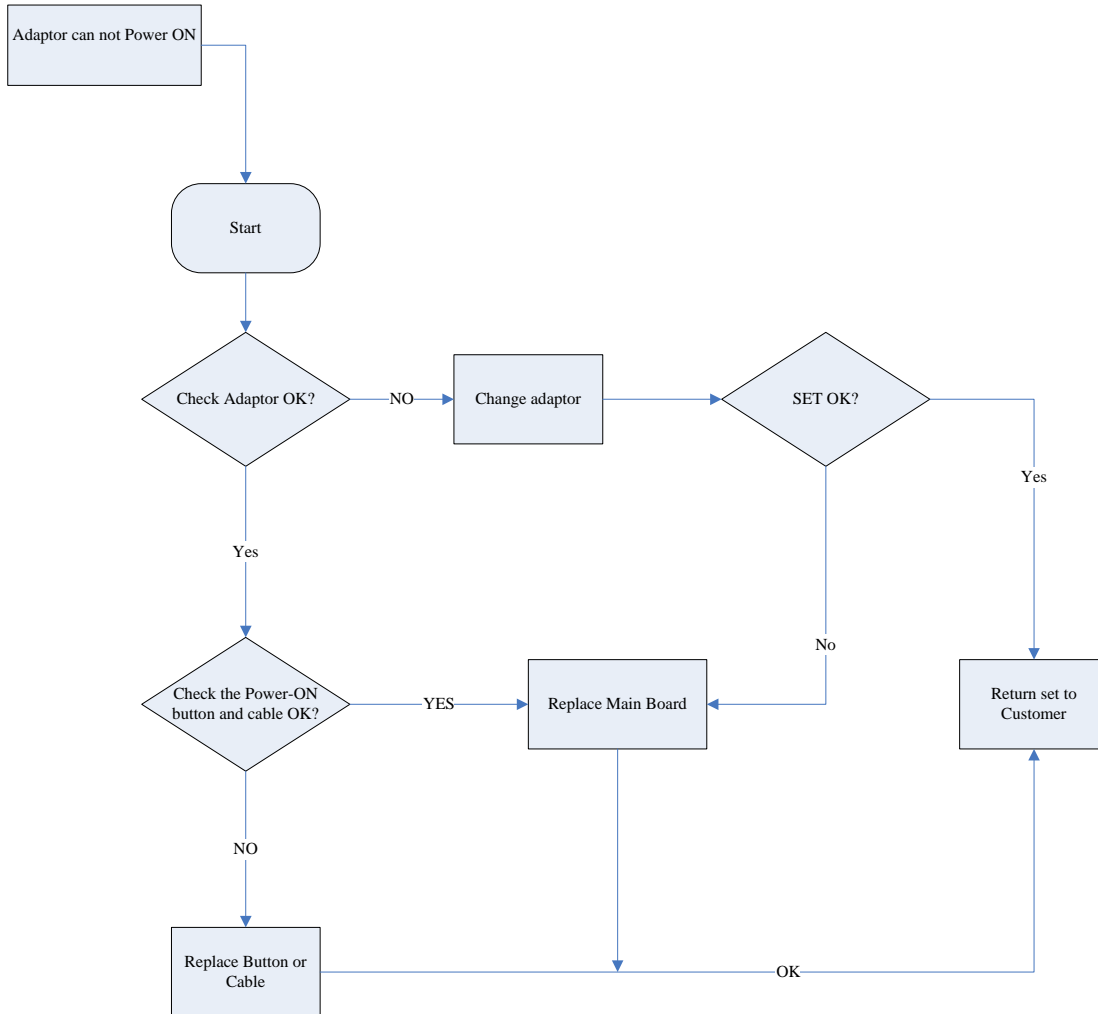
### SYMPTOM: THE DVD DRIVE DOES NOT WORK



## 5.0 TROUBLESHOOTING

---

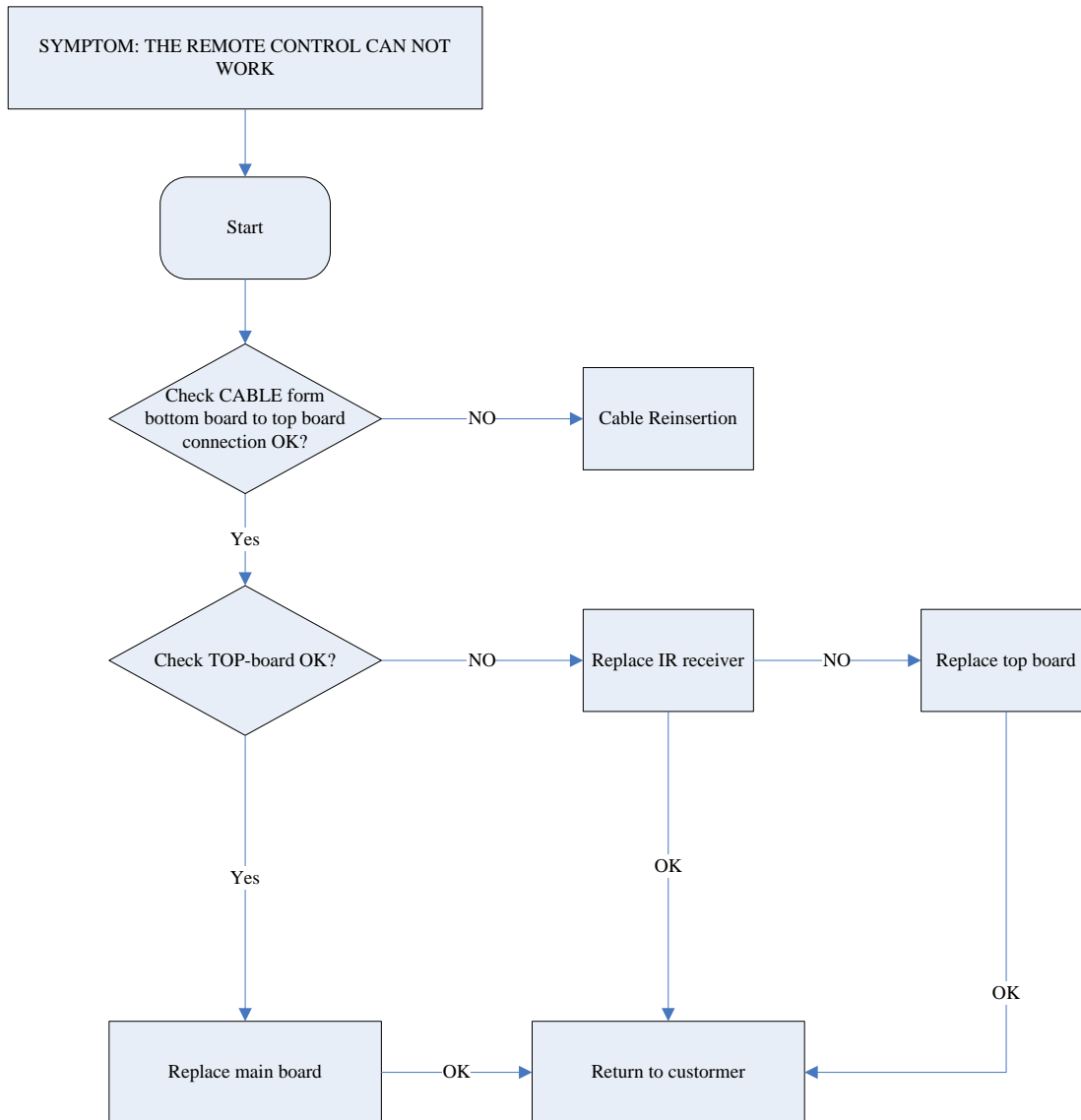
### SYMPTOM: ADAPTOR CANNOT POWER ON



## 5.0 TROUBLESHOOTING

---

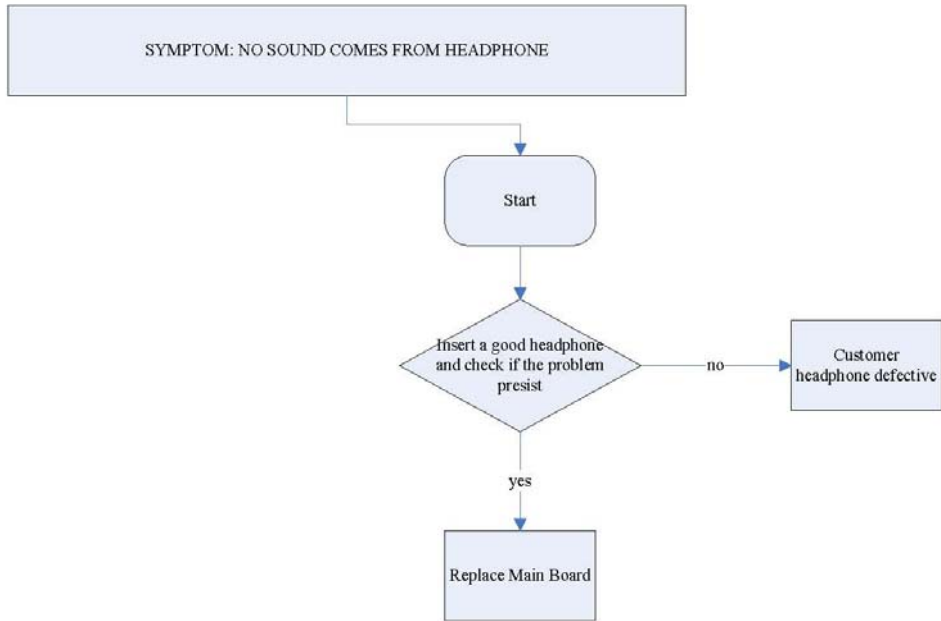
### SYMPTOM: REMOTE CONTROL CANNOT WORK



## 5.0 TROUBLESHOOTING

---

### SYMPTOM: NO SOUND FROM HEADPHONE

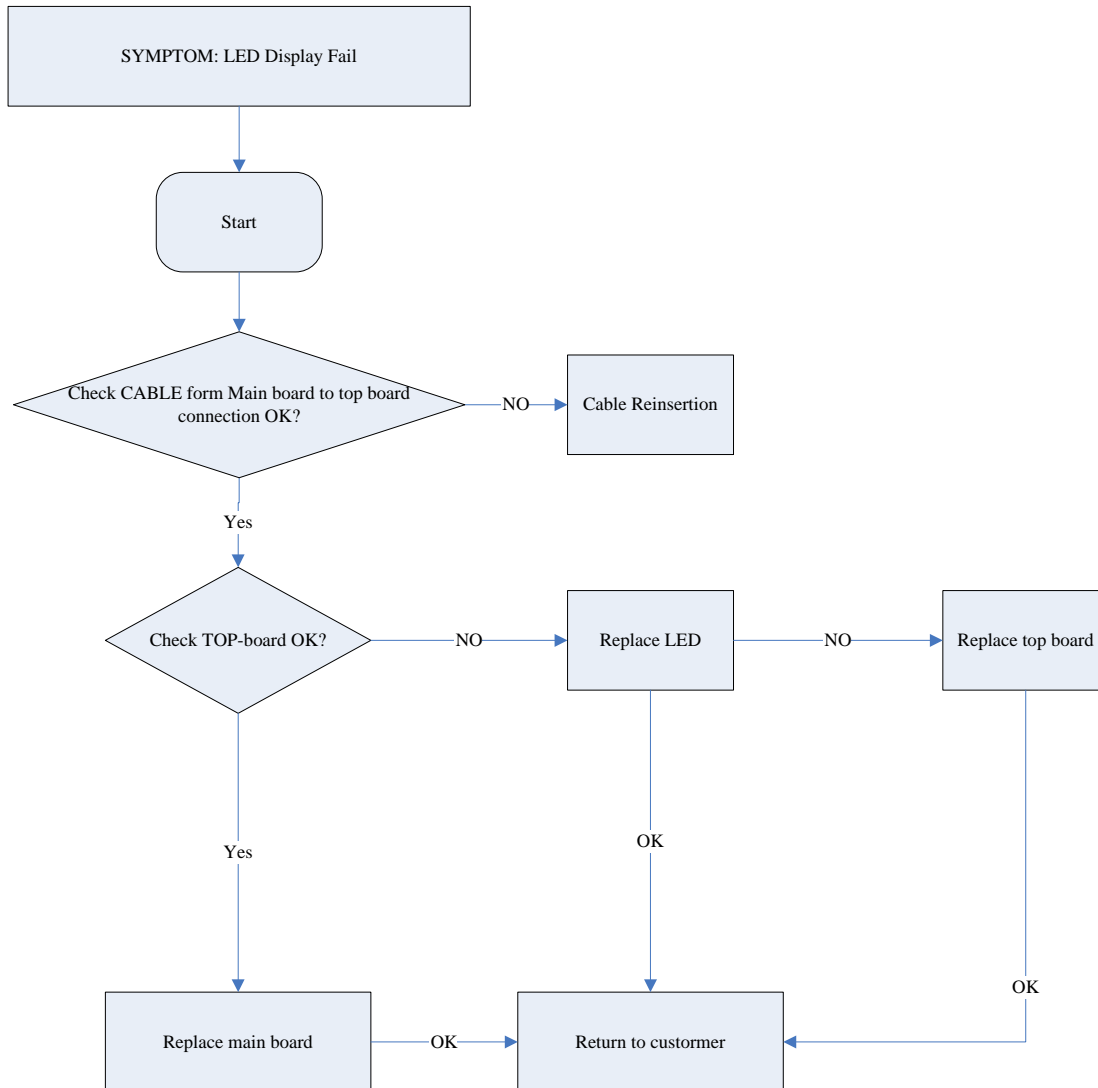




## 5.0 TROUBLESHOOTING

---

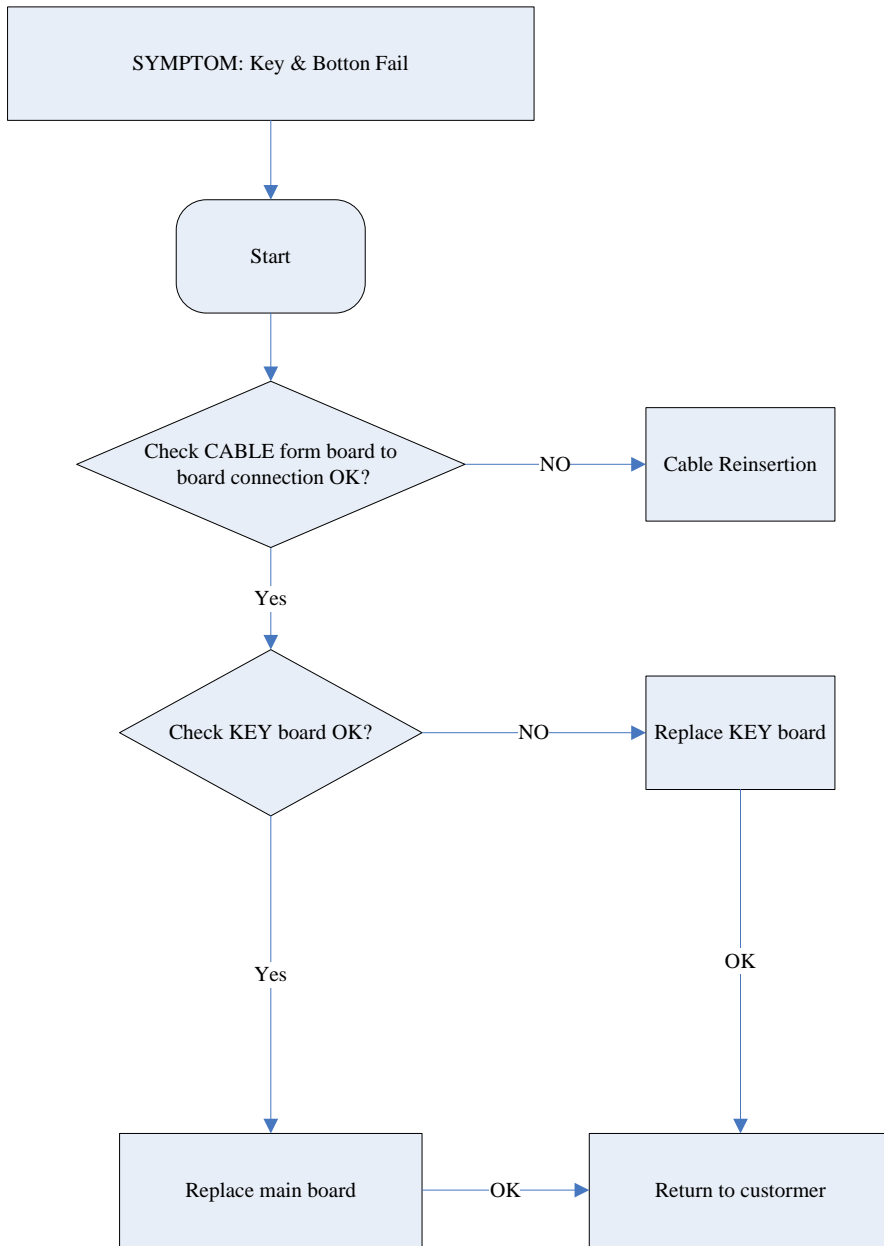
### SYMPTOM: LED DISPLAY FAILURE



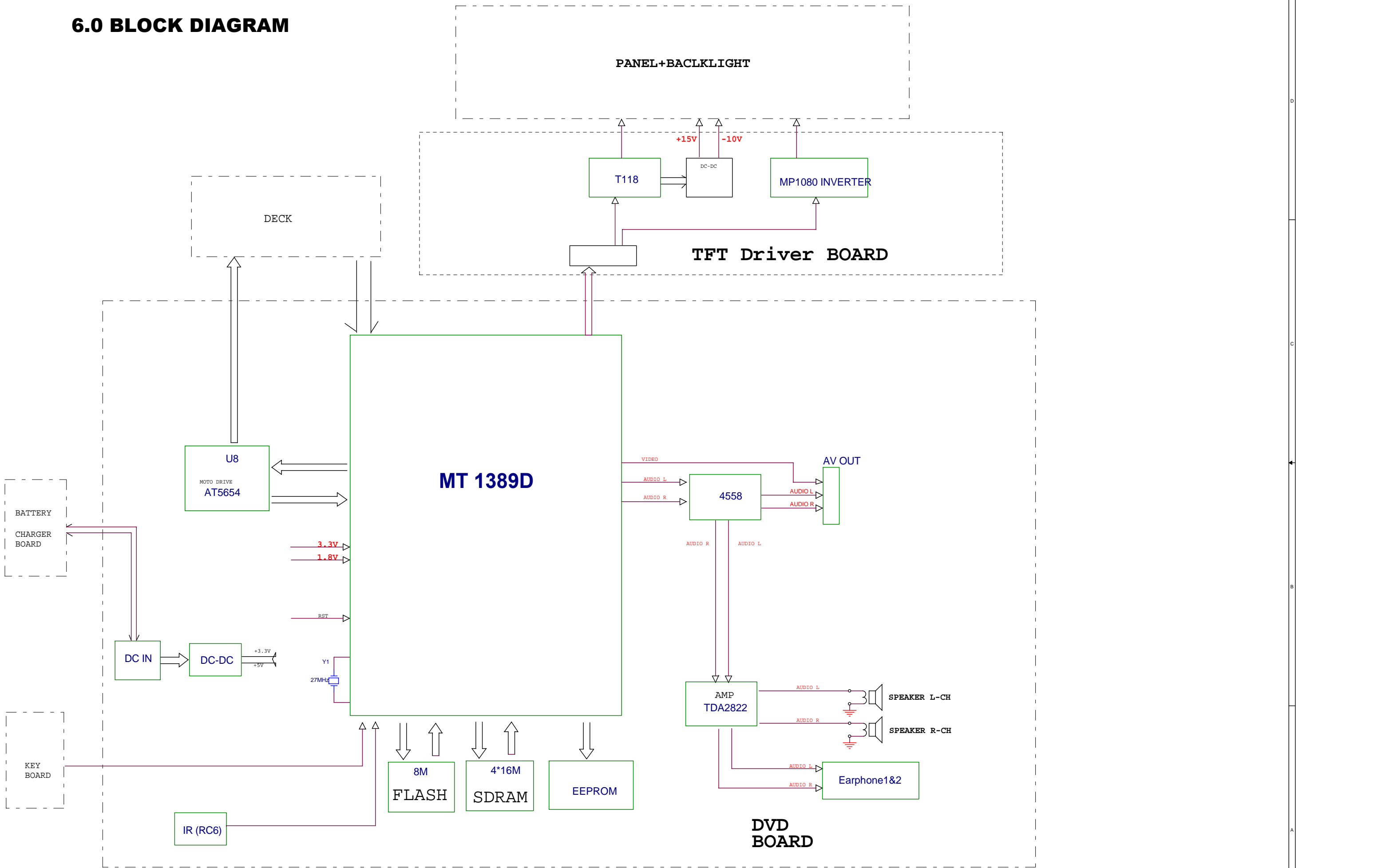
## 5.0 TROUBLESHOOTING

---

### SYMPTOM: KEY & BOTTON FAILURE



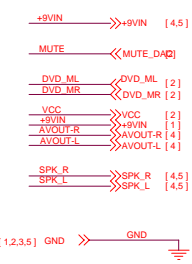
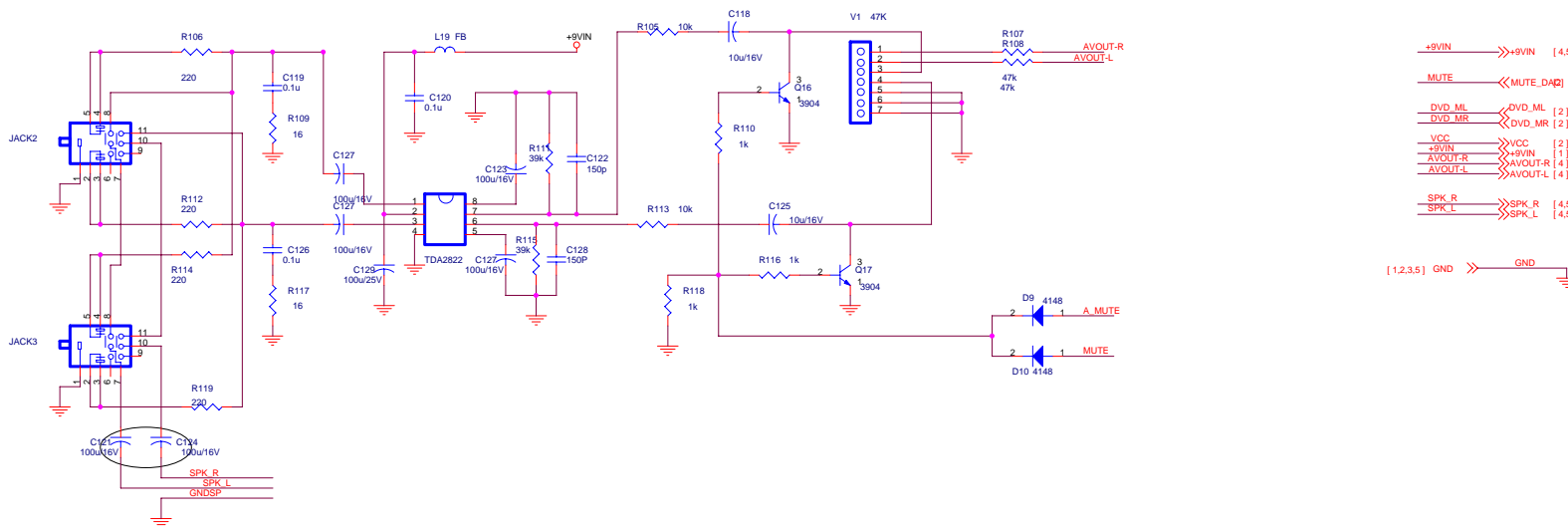
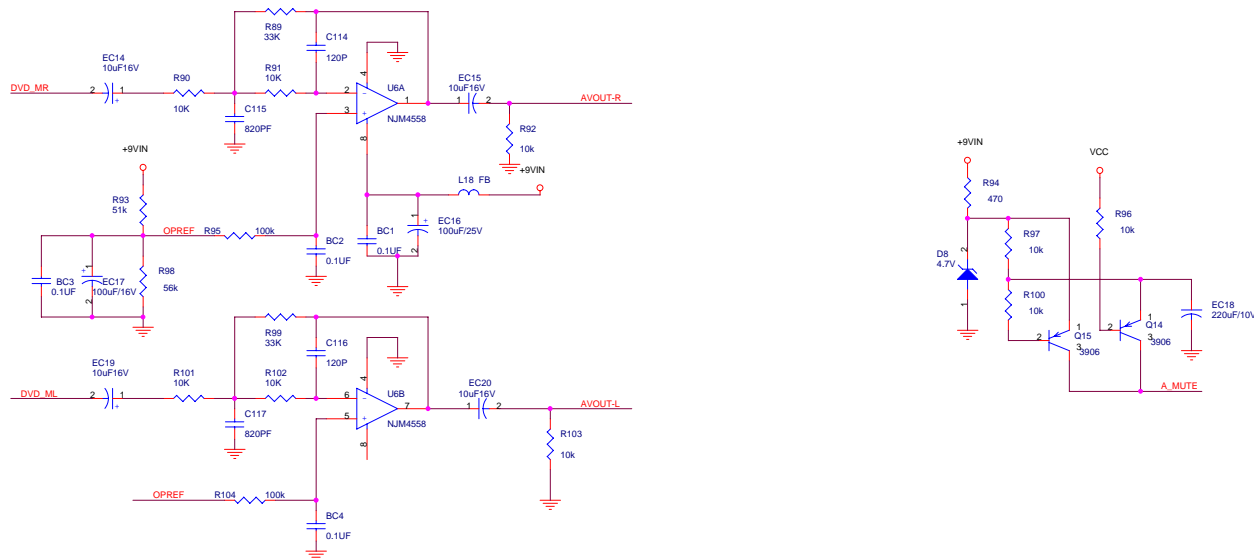
# 6.0 BLOCK DIAGRAM



Title		
PET714 block diagram		
Size	Document Number	Rev
C	<Doc>	1.0
Date:	Friday, January 05, 2007	Sheet 1 of 1

# 7.0 ELECTRICAL DIAGRAM

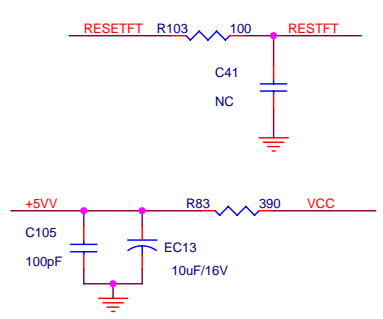
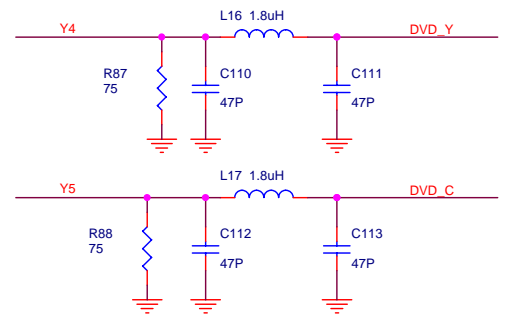
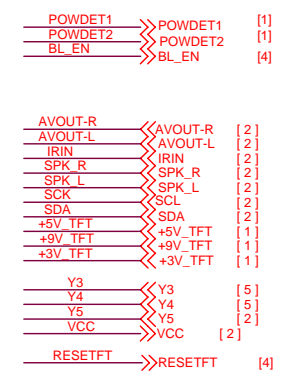
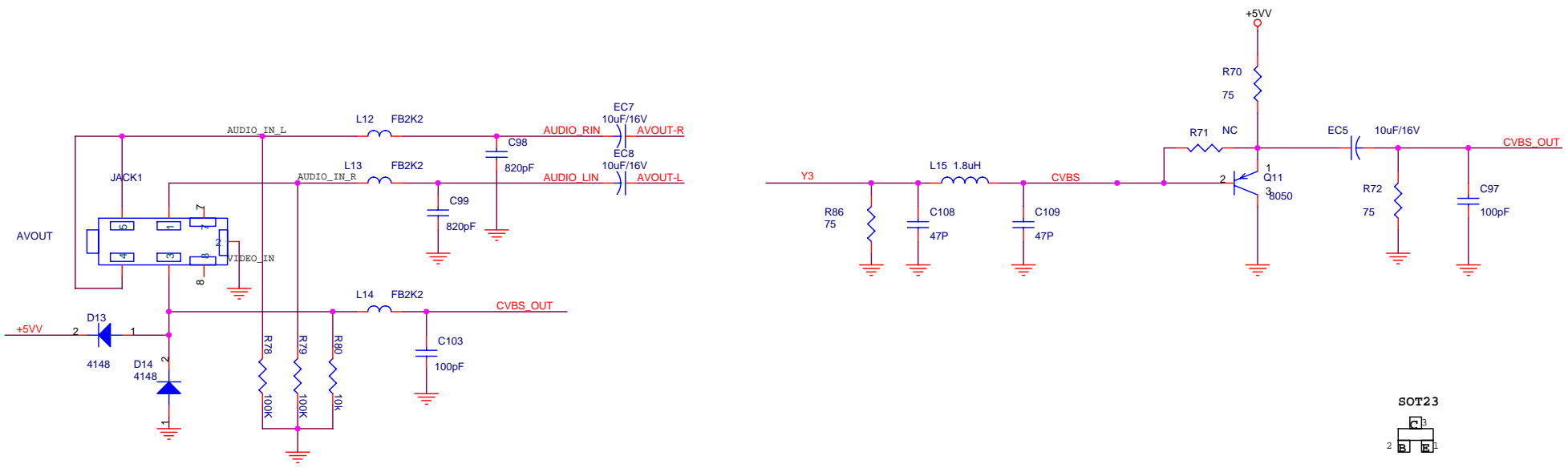
## 7.1 MAIN PCBA



Title		PET714 1389D_HOP1200	
Size	Document Number	AUDIO OUT	Rev
C			1.0
Date:	Monday, April 02, 2007	Sheet	1 of 5

# 7.0 ELECTRICAL DIAGRAM

## 7.1 MAIN PCBA

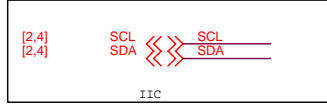
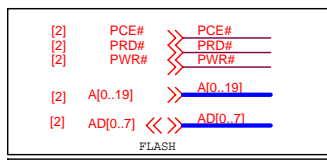
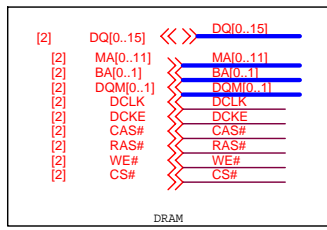
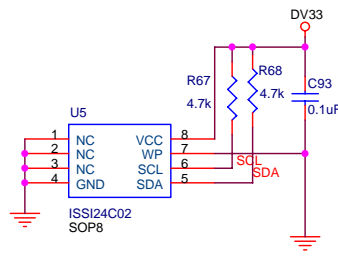
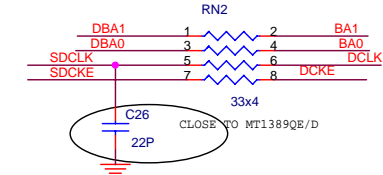
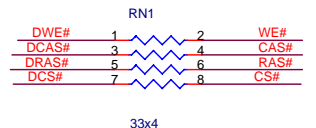
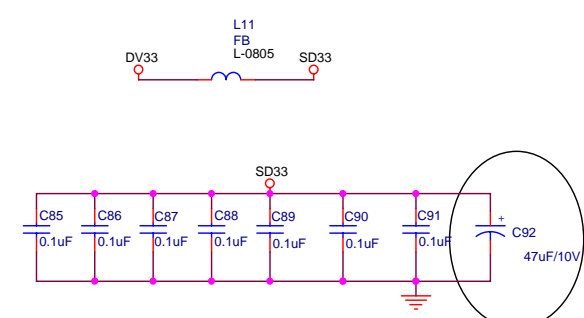
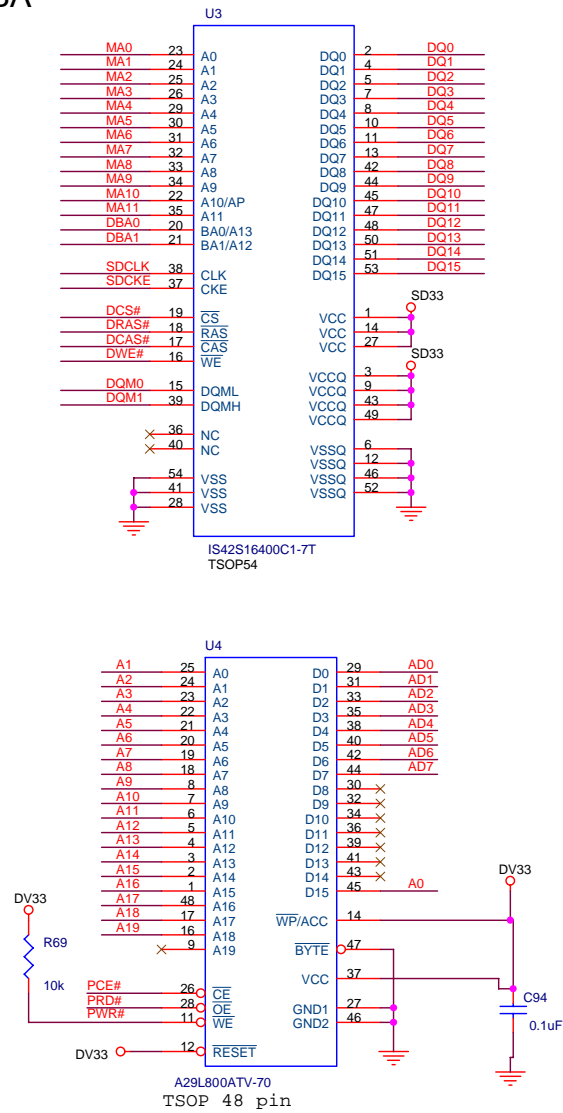


J5	
SPK_R	16 SPK_R
GND	15 GND
SPK_L	14 SPK_L
GND	13 GND
C_TFT	12 C
Y_TFT	11 Y
GND	10 GND
SCK	9 SCK
RESETFT	8 SDA
GND	7 GND
+3V_TFT	6 +33
+5V_TFT	5 +5V
GND	4 GND
BL_EN	3 BL_EN
+9V_TFT	2 +9V
GND	1 GND

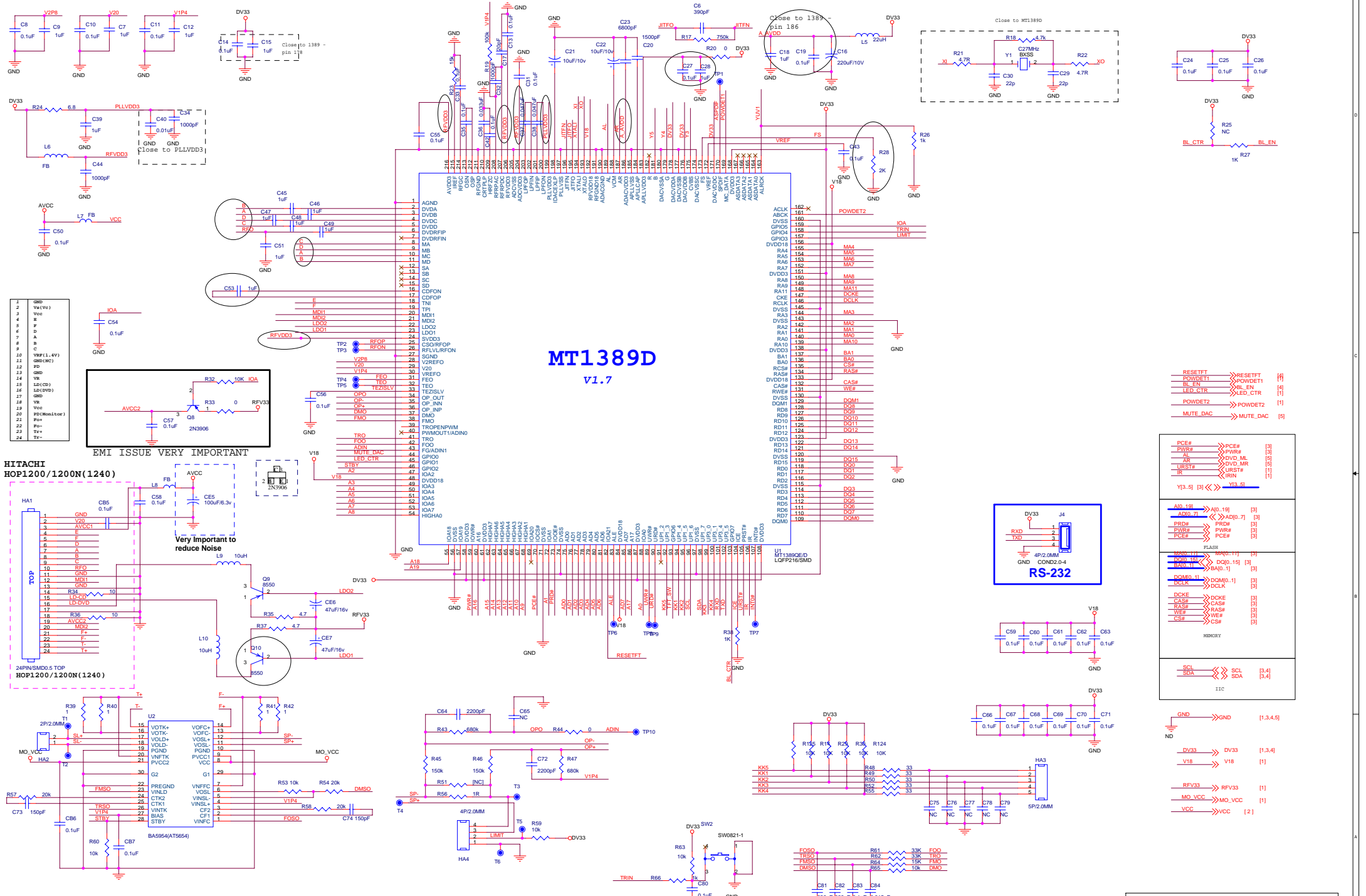
Title		
PET714 1389D_HOP1200		
Size B	Document Number	Rev 1.0
Date: Monday, April 02, 2007		Sheet 1 of 4

# 7.0 ELECTRICAL DIAGRAM

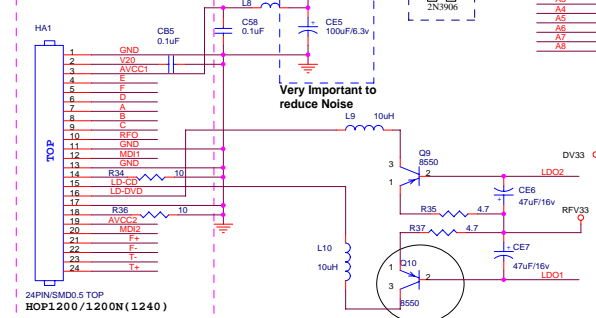
## 7.1 MAIN PCBA



Title		
PET714 1389D_HOP1200		
Size B	Document Number	Rev 1.0
SDRAM & FLASH		
Date: Monday, April 02, 2007	Sheet 1	of 3



**HITACHI HOP1200/1200N(1240)**



RESET#	POWDET1	POWDET2	[H]
BL_EN	LED_CTR	BL_EN	[4]
LED_CTR	LED_CTR	LED_CTR	[1]
POWDET2	POWDET2	POWDET2	[1]
MUTE_DAC	MUTE_DAC	MUTE_DAC	[5]

PCE#	PCE#	[3]
PWR#	PWR#	[3]
AI	DVD_ML	[5]
AR	DVD_MR	[5]
URST#	URST#	[1]
IR	IR#	[1]

AIO_18I	AIO_18I	[3]
AD0_7	AD0_7	[3]
PROM	PROM	[3]
PWR#	PWR#	[3]
PCE#	PCE#	[3]

MEM0_11	MEM0_11	[3]
MEM0_15	MEM0_15	[3]
MEM0_1	MEM0_1	[3]
MEM0_11	MEM0_11	[3]
DCKE	DCKE	[3]
CAS#	CAS#	[3]
RAS#	RAS#	[3]
WE#	WE#	[3]
CSE#	CSE#	[3]

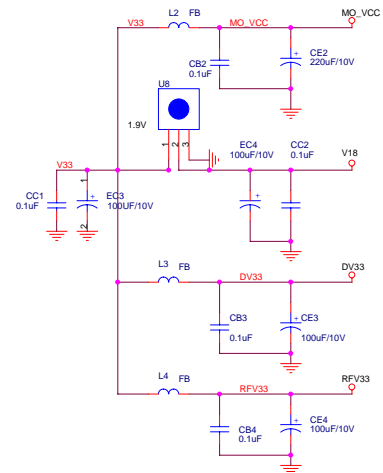
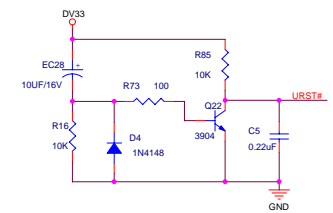
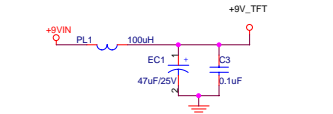
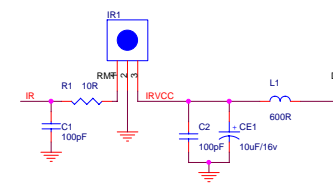
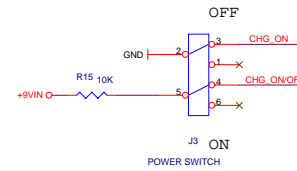
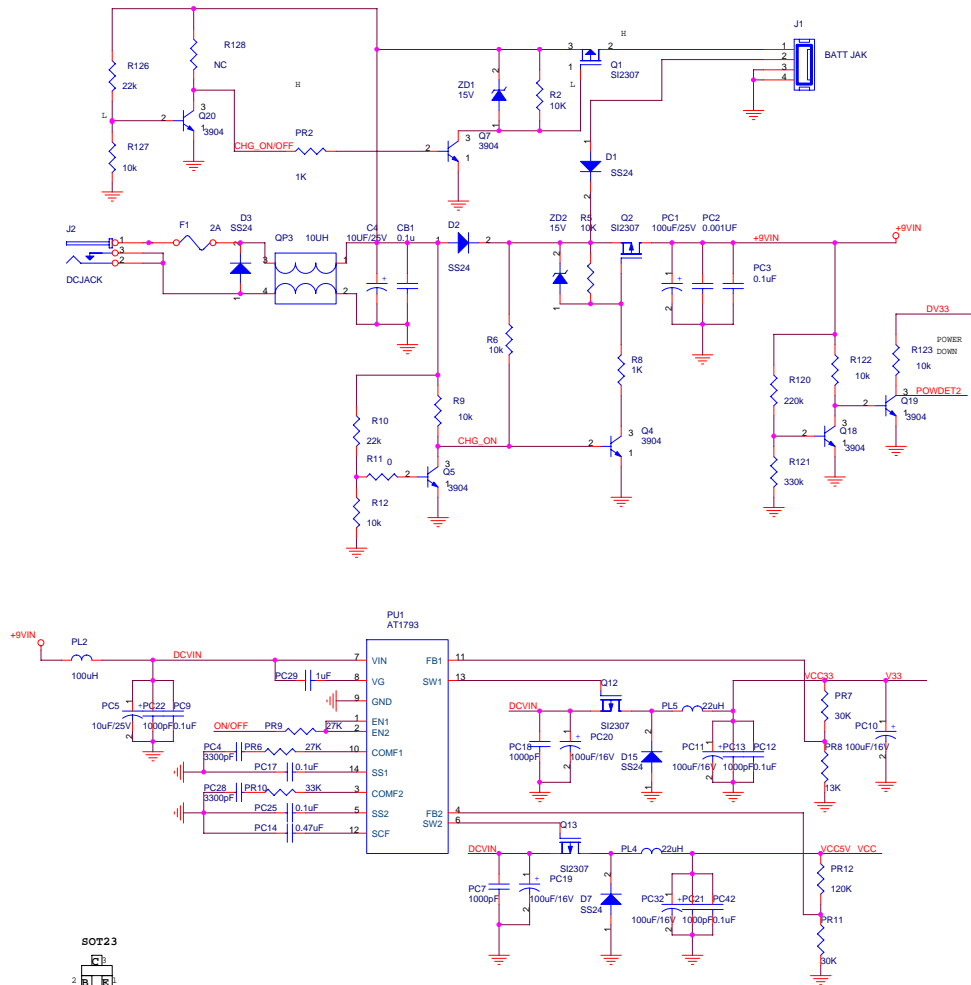
MEMKEY	MEMKEY	[3,4]
SCL	SCL	[3,4]
SDA	SDA	[3,4]

GND	GND	[1,3,4,5]
DV33	DV33	[1,3,4]
V18	V18	[1]
RFV33	RFV33	[1]
MO_VCC	MO_VCC	[1]
VCC	VCC	[2]

# MT1389D (LQFP216) DVD Board for HOP1200

- 1 INDEX & POWER
- 2 RF, SERVO & MPEG , RESET
- 3 MEMORY - SDRAM, FLASH/EEPROM
- 4 VIDEO OUT
- 5 AUDIO OUT
- 6 MCU LCP936

Rev	History	P#	Date
V1	The original released.		2004/04/29
V2	Change net Limit and tclose order	2	2004/05/08
V3	Modify power 3.3V net	2	2004/05/14
V4	Add VGA connect Adjust servo IO	4 2	2004/05/28
V5	Modify OPU connector pin19 circuit	2	2004/06/09
V6	add protection circuit for OPU	2	2005/05/23



ON/OFF	POWDET1	[2]
POWDET2	POWDET2	[2]
LED_CTR	LED_CTR	[2]
+9V_TFT	+9V_TFT	[4]
+9VIN	+9VIN	[4]
IR	IRIN	[4]
V18	V18	[2]
V33	+3V_TFT	[4]
VCC	+9V_TFT	[4]
VCC	VCC	[2]
RFV33	RFV33	[2]
DV33	DV33	[2]
MO_VCC	MO_VCC	[2]
URST#	URST#	[2]
GND	GND	[2,3,4,5]

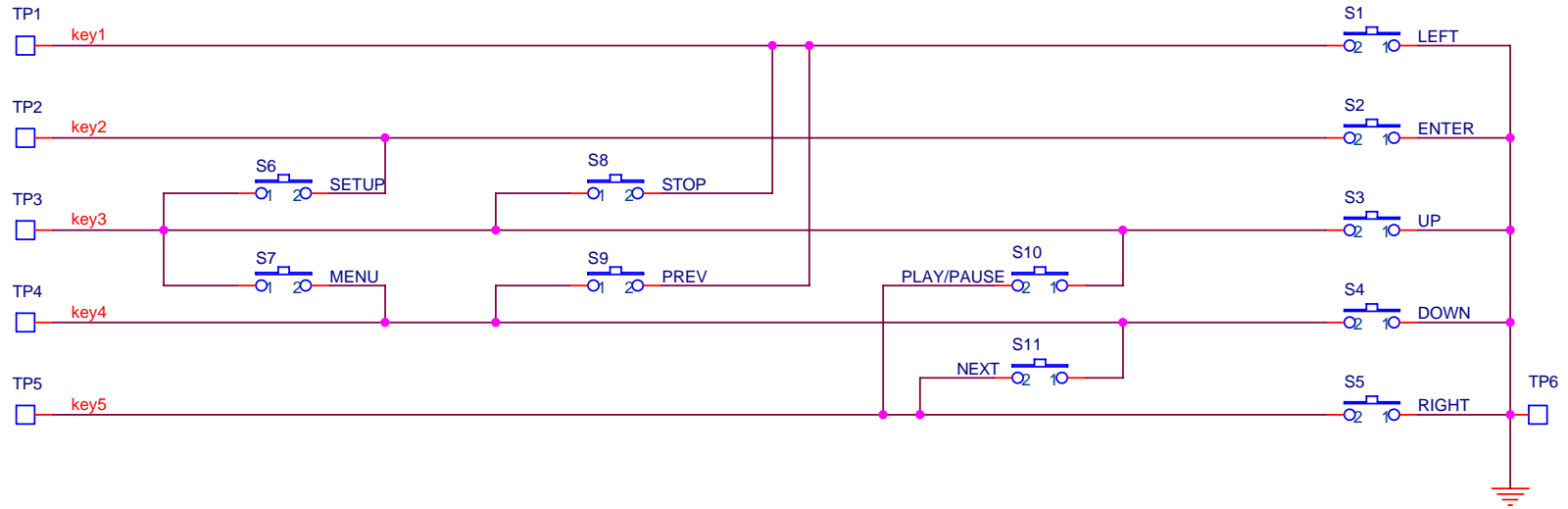


Title	PET714 1389D_HOP1200	
Size	Document Number	POWER
C		Rev 1.0
Date	Monday, April 02, 2007	Sheet 1 of 1



# 7.0 ELECTRICAL DIAGRAM

## 7.2 KEY PCBA ASSY

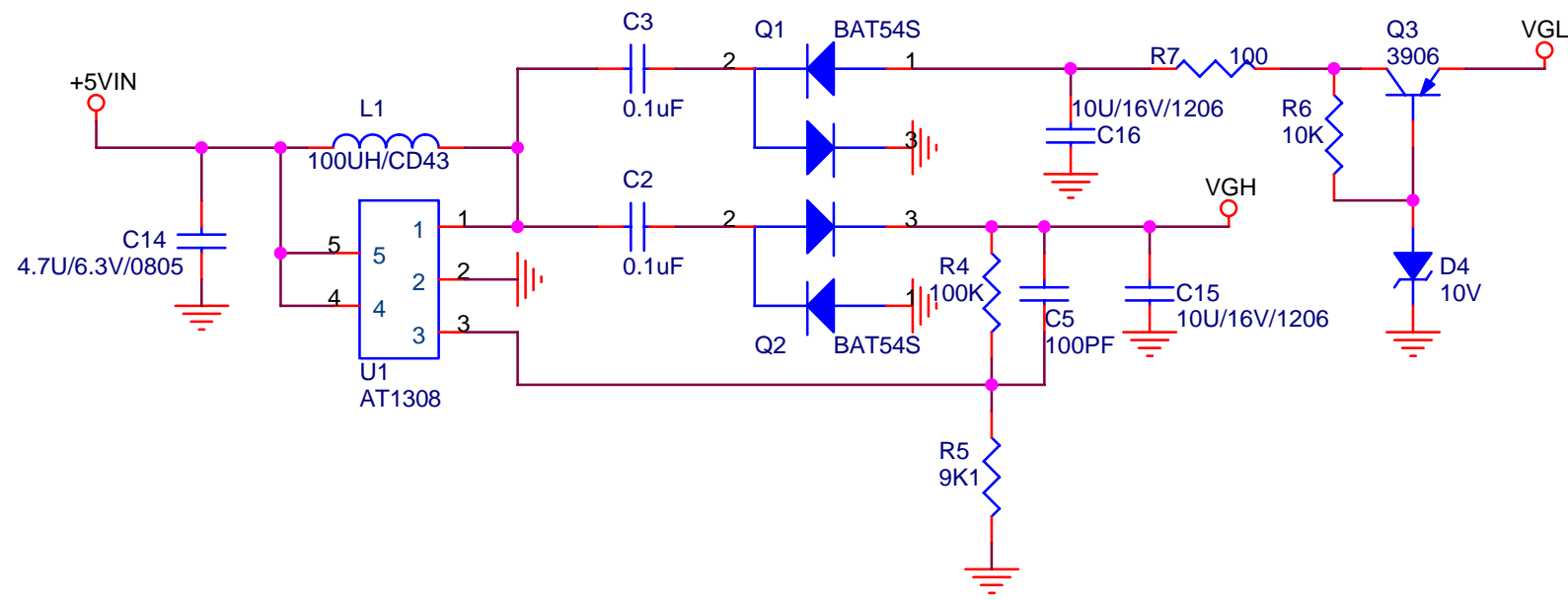
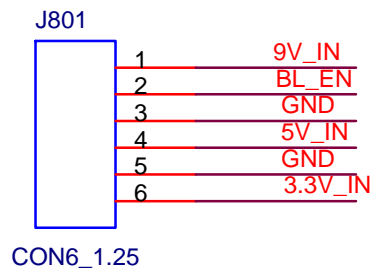
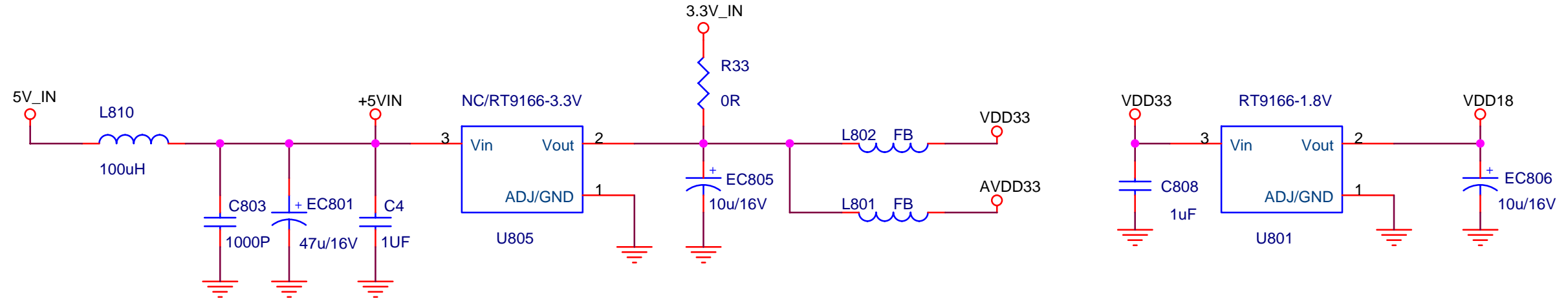


Title		
<Title>		
Size	Document Number	Rev
A4	<Doc>	1.0
Date:	Tuesday, March 20, 2007	Sheet 1 of 1

# 7.0 ELECTRICAL DIAGRAM

## 7.3 TFT DRIVER PCBA ASSY

### Power Input

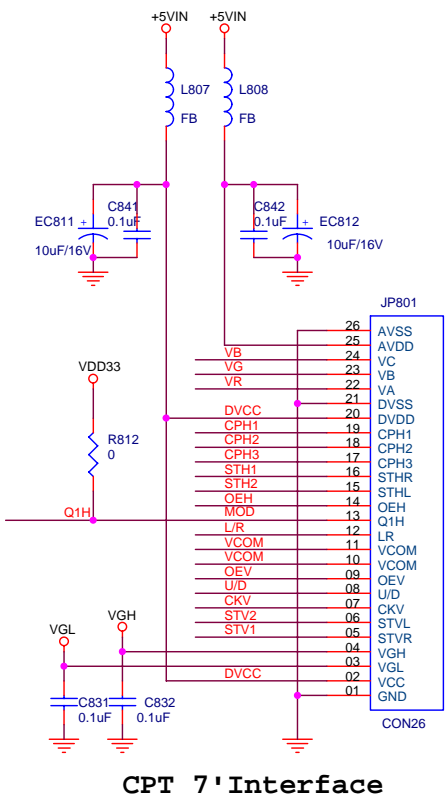
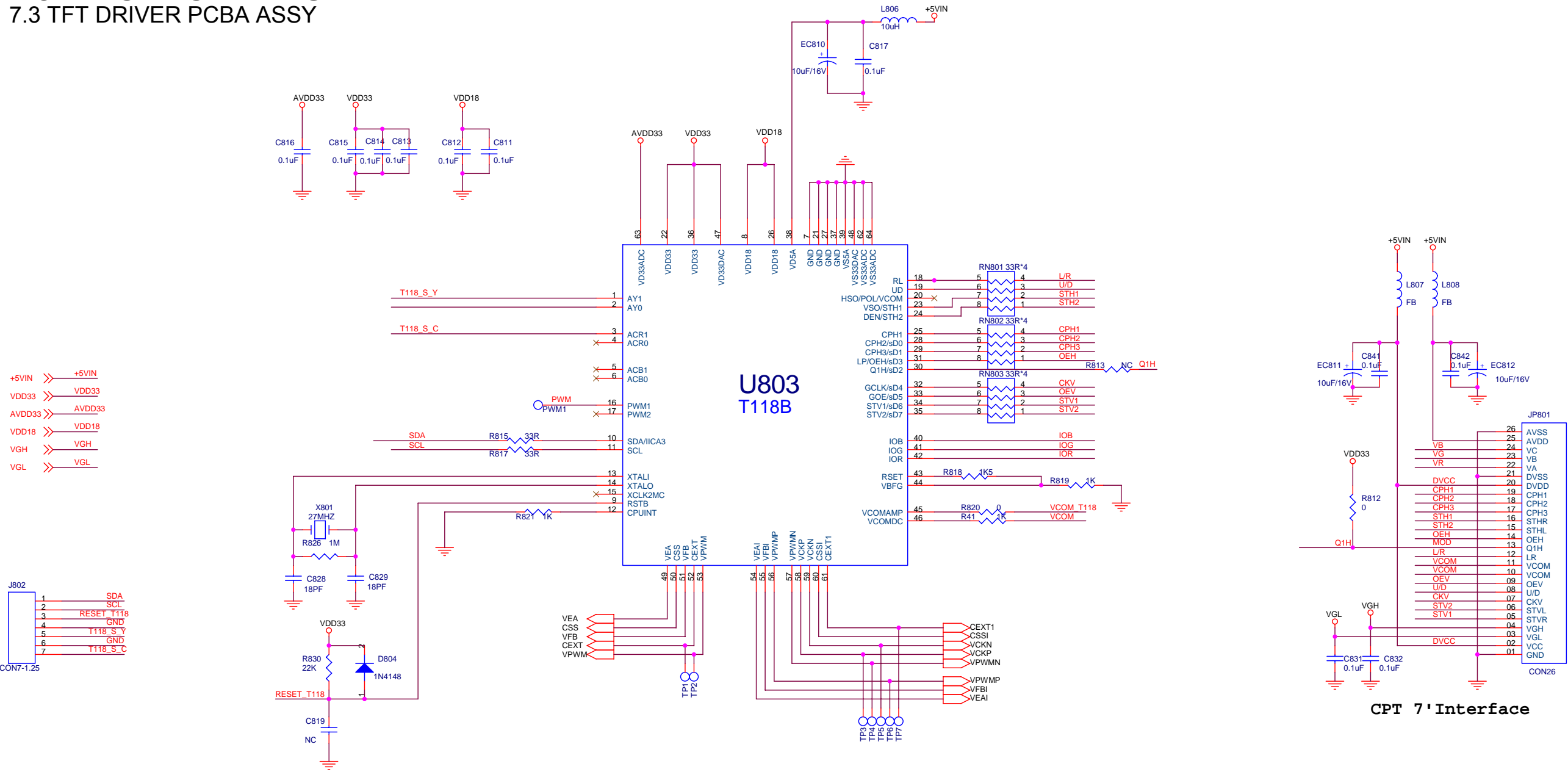


- VDD18 >>> VDD18
- AVDD33 >>> AVDD33
- VDD33 >>> VDD33
- +5VIN >>> +5VIN
- BL\_EN >>> BL\_EN
- 9V\_IN >>> 9V\_IN
- VGH >>> VGH
- VGL >>> VGL

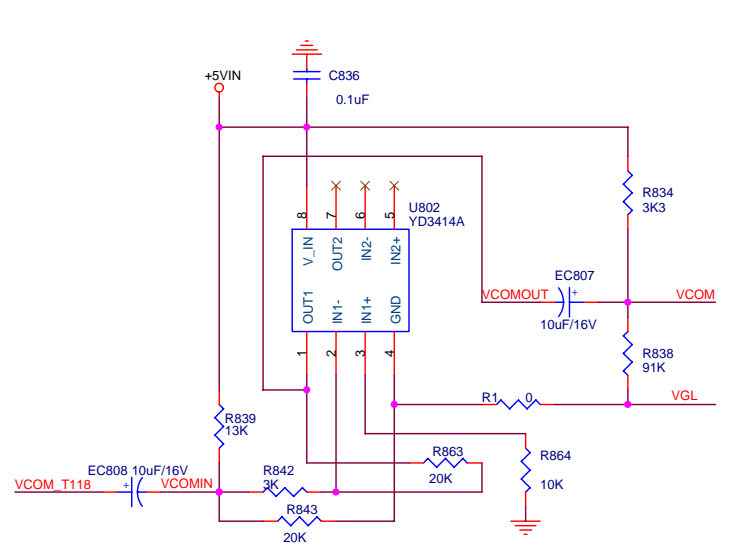
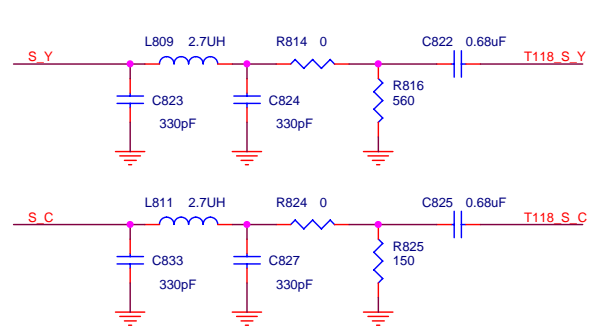
Title		
PET714 DRIVER SCHEMATIC		
Size	Document Number	Rev
A4	<Doc>	1.0
Date:	Tuesday, March 20, 2007	Sheet 1 of 3

# 7.0 ELECTRICAL DIAGRAM

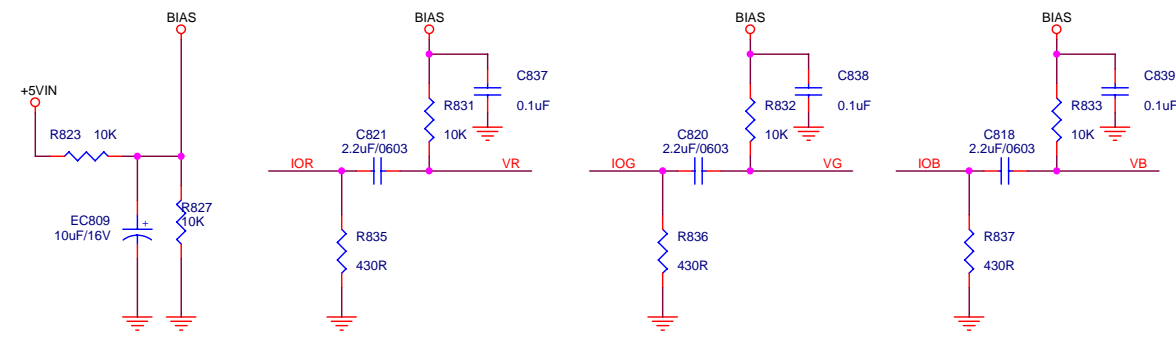
## 7.3 TFT DRIVER PCBA ASSY



### Input Signal



VCOM Circuit

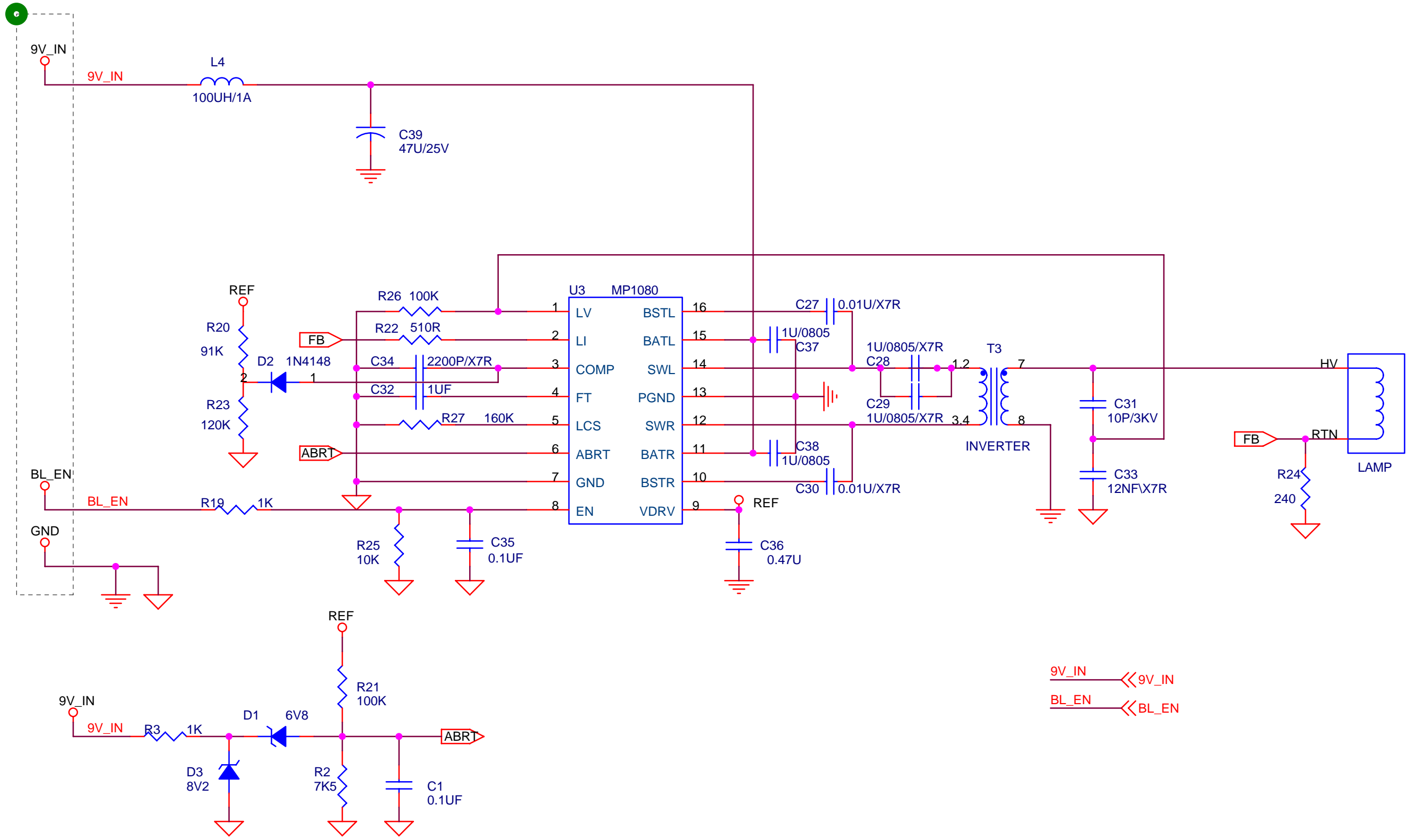


R.G.B Circuit

Title			PET714 DRIVER SCHEMATIC
Size	Document Number	Rev	
C	<Doc>	1.0	
Date:	Tuesday, March 20, 2007	Sheet	2 of 3

# 7.0 ELECTRICAL DIAGRAM

## 7.3 TFT DRIVER PCBA ASSY

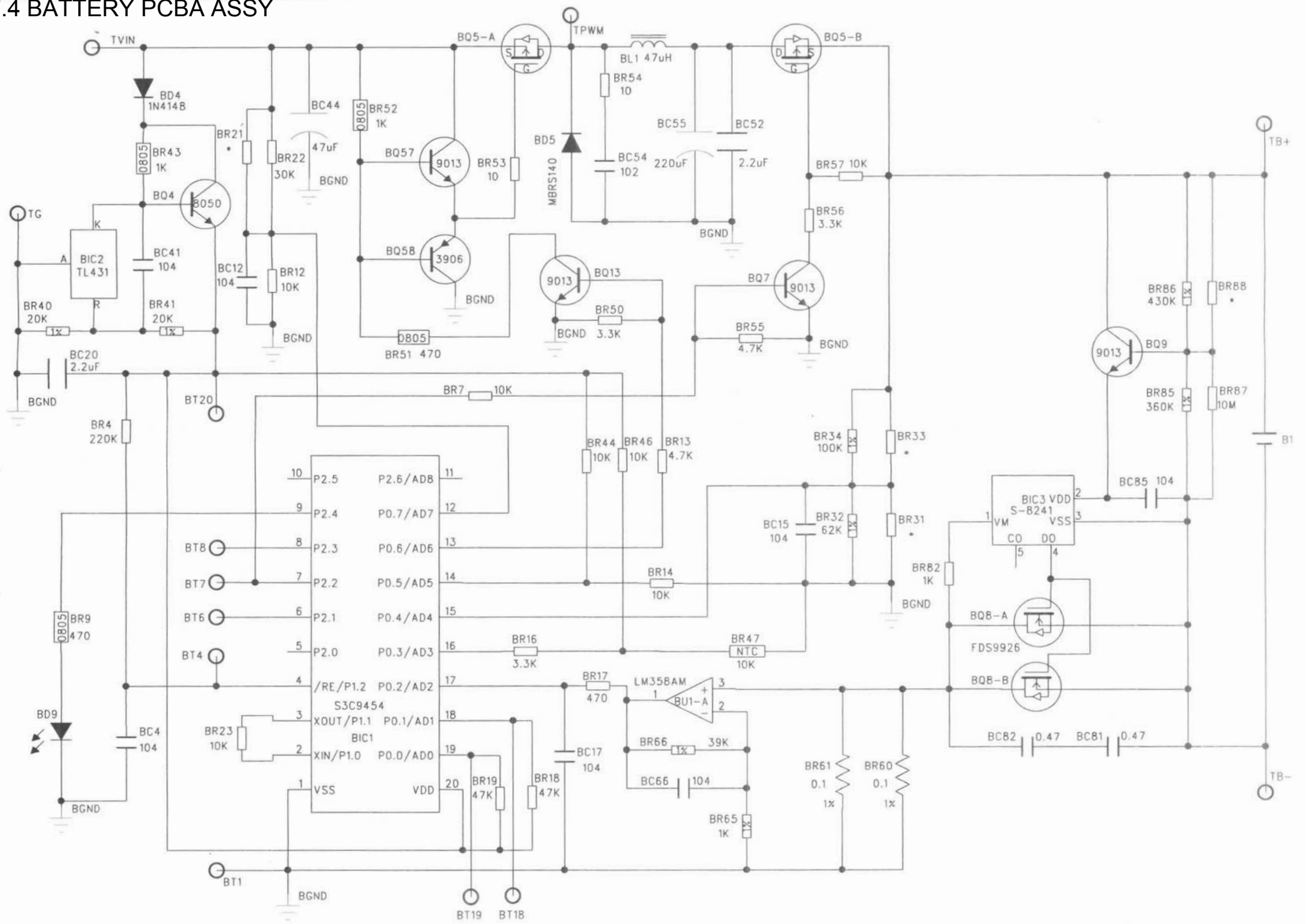


9V\_IN << 9V\_IN  
 BL\_EN << BL\_EN

Title		
PET714 DRIVER SCHEMATIC		
Size	Document Number	Rev
A4	<Doc>	1.0
Date:	Tuesday, March 20, 2007	Sheet 3 of 3





# 7.0 ELECTRICAL DIAGRAM

## 7.4 BATTERY PCBA ASSY

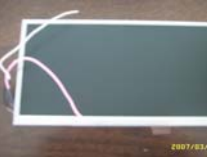




## 8.0 SERVICE PART LIST

### Electrical Part List:

No.	Service 12NC	Service Description	Photo	Pos. No.
1	996510002375	MAIN PCBA ASSY PET714		100
2	996510002376	KEY PCBA ASSY PET714		110
3	996510002395	TFT DRIVER PCB ASSY PET714		120
4	996510005925	BATTERY PCB ASSY PET714 (PET714/12,/55,/75,/94)		130
	996510006076	LION-POLYER BATTERY PET714 (PET714/05, PET718/12)		

### Mechanical Part List:

No.	Service 12NC	Service Description	Photo	Pos. No.
5	996510002377	7" LCD PANEL ASSY CPT (for PET714/12/55/75/94, PET718/12)		200
	996510005926	7" LCD PANEL ASSY LG E2 (for PET714/05)		
6	996510001515	DVD LOADER		210
7	996510002384	FFC 24P		220

## 8.0 SERVICE PART LIST

### Mechanical Part List:

No.	Service 12NC	Service Description	Photo	Pos. No.
8	996510002378	FRONT CABINET PET714		300
9	996510002379	BOTTOM CABINET PET714 (for PET714/55)		310
	996510003847	BOTTOM CABINET VER 2 PET714 (for PET714/05, /12, /94, /75, PET718/12)		
10	996510002388	DISPLAY FRAME & SPEAKER PET714		320
11	996510002387	MIDDLE CABINET ASSY PET714		330
12	996510002373	HINGE PET714		340
13	996510002385	LENS PET714		350
14	996510002374	POWER BUTTON PET714		400
15	996510002382	NAVIGATION BUTTON		410

## 8.0 SERVICE PART LIST

### Mechanical Part List:

No.	Service 12NC	Service Description	Photo	Pos. No.
16	996510002383	OK BUTTON		420
17	996510002389	MENU BUTTON		430
18	996510002390	F.F / REW BUTTON		440
19	996510002391	PLAY / STOP BUTTON		450
20	996510002392	DOOR EJECT BUTTON		460
21	996510002393	DOOR SLIDE		461
22	996510002394	DOOR BUTTON BRACKET		462
23	996510002380	BUTTON BRACKET (BLACK)		470
24	996510002381	BUTTON ORNAMENT		480



## 8.0 SERVICE PART LIST

### Accessories Part List:

No.	Service 12NC	Service Description	Photo	Pos. No.
25	996510002353	AC/DC ADAPTER EU (for PET714/55, PET714/00, PET714/12 & PET714/94, PET718/12)		ACADAPTOR
	996510002403	AC/DC ADAPTER US (for PET714/37)		ACADAPTOR
	996510005473	AC/DC ADAPTER AUS (for ET714/75)		ACADAPTOR
	996510005927	AC/DC ADAPTER AUS (for ET714/05)		ACADAPTOR
26	996510000788	AV CABLE FOR PET714, PET718		AVCABLE
27	996510001510	CAR ADAPTOR FOR PET714		CARADAPTOR
28	996510002372	REMOTE CONTROL PET714, PET718		RC
29	996510005474	CAR MOUNT (for PET714/75, PET718/12)		CARMOUNT
30	996510006550	AV&DC CABLE 1.8M 5PIN FOR PET718		AVCABLE2
31	996510006564	CAR ADAPTOR FOR PET718		CARADAPTOR
32	996510006549	PAC132 2 <sup>ND</sup> SCREEN FOR PET718		PAC132

## 9.0 REVISION LIST

---

Version 1.0 (3141 785 31670)

- Initial release PET714/55

Version 1.1 (3141 785 31671)

- Update chapter 8.0 to add service part 996510003847 for PET714/94

Version 1.2 (3141 785 31672)

- Update chapter 8.0 to add service part 996510005473 & 996510005474 for PET714/75

Version 1.3 (3141 785 31673)

- Update chapter 8.0 to add service part for PET714/12 & PET714/05

Version 1.4 (3141 785 31674)

- Update chapter 8.0 to add service part for PET718/12